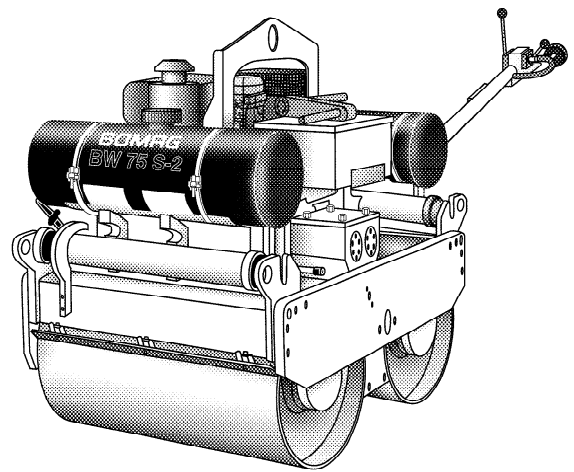


BOMAG

WALK-BEHIND DOUBLE DRUM VIBRATORY ROLLER BW 65 S-2, BW 75 S - 2

PERFORMANCE DATA



Machine type	Compaction output (m ³ /h) at recommended soil layer thicknesses		
	Gravel, sand	mixed soil	Silt, clay
BW 65 S-2	30-45	30-45	15-22
BW 75 S - 2	40-55	40-55	20-35

Machine type	Compaction output (t/h) at different asphalt layer thicknesses		
	2-4 cm	6-8 cm	10-14 cm
BW 65 S-2	12-23	23-31	39-55
BW 75 S - 2	14-26	26-36	45-63

BOMAG

Technical Data

Shipping dimensions in m3

BW 65 S-2	1,778
BW 75 S - 2	3,010

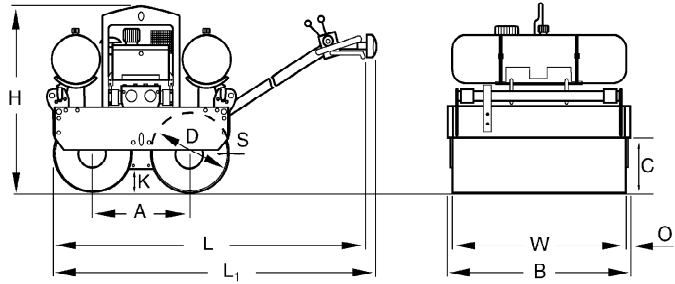
Standard Equipment

- Mechanical vibration drive
- Double vibration
- Sprinkler system
- Vibration dampened steering rod
- Height adjustable steering rod
- Engine speed regulation on steering rod
- Highly wear resistant drum
- 2 scrapers per drum
- Automatic shutdown at low oil level
- Single point lifting device
- Safety crank handle
- * Safety control
- * Back-up drive protection
- * Parking brake

Optional Equipment

- Electric starter
- Parking brake
- Hourmeter
- Tool kit
- Special painting

* Standard delivery with CE conformity (valid within European Union)



Dimensions in mm

	A	B	C	D	H	K	L	L1	O	S	W
BW 65 S-2	520	780	200	400	1060	140	2150	2240	25	8	650
BW 75 S - 2	600	895	230	480	1180	110	2850	2945	25	10	750

Technical Data

Weights

Operating weight CECE	kg	626	943
Basic weight	kg	600	910
Average axle load CECE	kg	313	472
Average static linear load CECE	kg/cm	4,8	6,3

Dimensions

Working width	mm	650	750
---------------------	----	-----	-----

Driving Characteristics

Speed (1), forward	km/h	1,9	1,6
Speed (1), reverse	km/h	1,9	1,6
Speed (2), forward	km/h	2,5	2,5
Speed (2), reverse	km/h	2,5	2,5
Max. gradeability without/with vibr.	%	40/35	40/35

Drive

Engine manufacturer	Hatz	Hatz	
Type	1D 41 S	1D 50 S	
Cooling	air	air	
Number of cylinders	1	1	
Performance ISO 9249	kW	4,4	6,8
Speed	min-1	2.300	2.700
Fuel	diesel	diesel	
Drive system	mech.	mech.	
Driven drum	front + rear	front + rear	

Brakes

Service brake	mech.	mech.
Parking brake	mech.	mech.

Exciter system

Vibrating drum	front + rear	front + rear	
Drive system	mech.	mech.	
Frequency	Hz	58	55
Amplitude	mm	0,42	0,49
Centrifugal force	kN	24	40

Sprinkler System

Type of sprinkling	gravity	gravity
--------------------------	---------	---------

Capacities

Fuel	l	5	7
Water	l	52	60

Technical modifications reserved. Machines may be shown with options.

BOMAG
Hellerwald
D-56154 Boppard
P.O. Box 5162
Tel. (0)6742 - 1000
Fax (0)6742 - 3090
Fax (0)6742 - 3090

BOMAG